

AIRLESS-SPRAYING EQUIPMENT

SuperFinish 21



WAGNER

USER FRIENDLY

EFFICIENT

INNOVATIVE QLS TECHNOLOGY

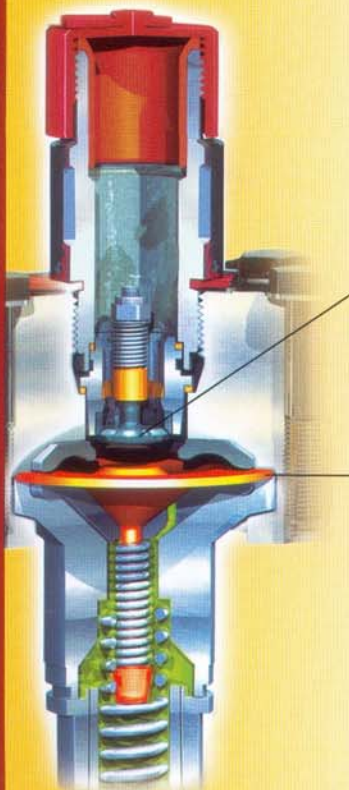
STEP

The Airless spraying equipment for productive everyday painting jobs and small emulsion applications in the workshop and on the building site

Innovative QLS technology

reliable and long lasting

SuperFinish 21



Wear resistant tungsten carbide valve

Wear and solvent resistant polyamide diaphragm

The geometry of the diaphragm allows it to be guided evenly minimising friction, making it reliable and long lasting.

QLS technology (Quality Long Stroke technology) is the new generation of patented long stroke diaphragm equipment from Wagner.

The **optimised hydraulics** and **new valve technology** now provide even greater performance.

The longer stroke of the diaphragm allows the application of a wide range of materials. The reduced stroke rate means that wear components are under much less stress, giving a long service life and lower maintenance costs.



The pump head made of high-grade **CONSISTAL**[®] material is extremely resistant and long lasting:

- very good corrosion protection against water
- solvent resistant
- suitable for lacquers, stains and varnishes
- high chemical resistance

The **practical carrying handles** on each side ensure optimum weight distribution and ease of transport on the building site.



The practical 110 V socket **allows connection of other items** such as an agitator, working light or radio.

User friendly
for high quality results



Material pressure
can be
smoothly regulated
from 0 to 250 bar.



GM 3000 AC
A combination of innovative
nozzle and two different air
caps makes this gun an all –
rounder for the application
of all water based and solvent
based paints, stains and varnishes.



Green Light.
The LED indicates that voltage is
present. For easy check.

AirCoat regulator for
precise regulation
of the atomizing air.

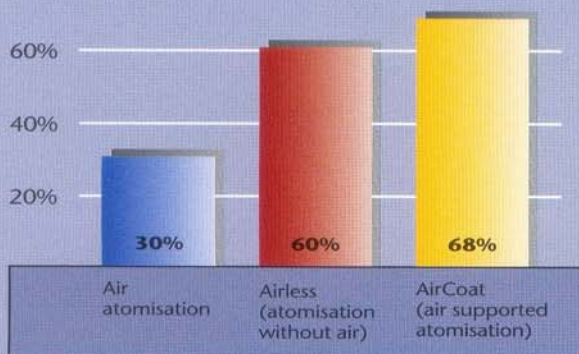


All the special spanners
needed are stowed in the
tool pouch where they
can be **easily accessed.**

Efficient

thanks to savings in paint

With the Airless- and AirCoat spraying system you achieve the higher transfer efficiency. This saves material costs.



Pressure distribution

performance curve for the SF 21



The SuperFinish 21 Airless - for the application of emulsions when redecorating.

Technical data – SuperFinish 21

Motor rating	0,96 kW
Weight	26 kg
Voltage	110 V
Delivery (120 bar)	1,7 l/min
Max. nozzle size	0,021"

► Versatile

Painting jobs in the workshop or on the building site, such as doors, frames and radiators, and small re-decorating jobs using emulsions are all ideal uses for the SuperFinish 21.

► Profitable

The Airless long stroke diaphragm equipment allows a greater surface coverage rate than using air atomising paint systems.

► Compact

The SuperFinish 21 is portable and can easily be carried.

► Low maintenance

Thanks to QLS technology, service life is extended by 30 %. This saves money.

► Easily serviced

Thanks to QLS technology, the SF 21 does not need packings, unlike a piston pump. This means that no packing changes are required. This saves time and money.

► Safe

The SF 21 is GS tested and meets all the essential European safety requirements.

► 2 year guarantee

Wagner gives a worldwide guarantee of 2 years on the SF 21. The high quality of our equipment makes this possible. (Excluding wear parts).

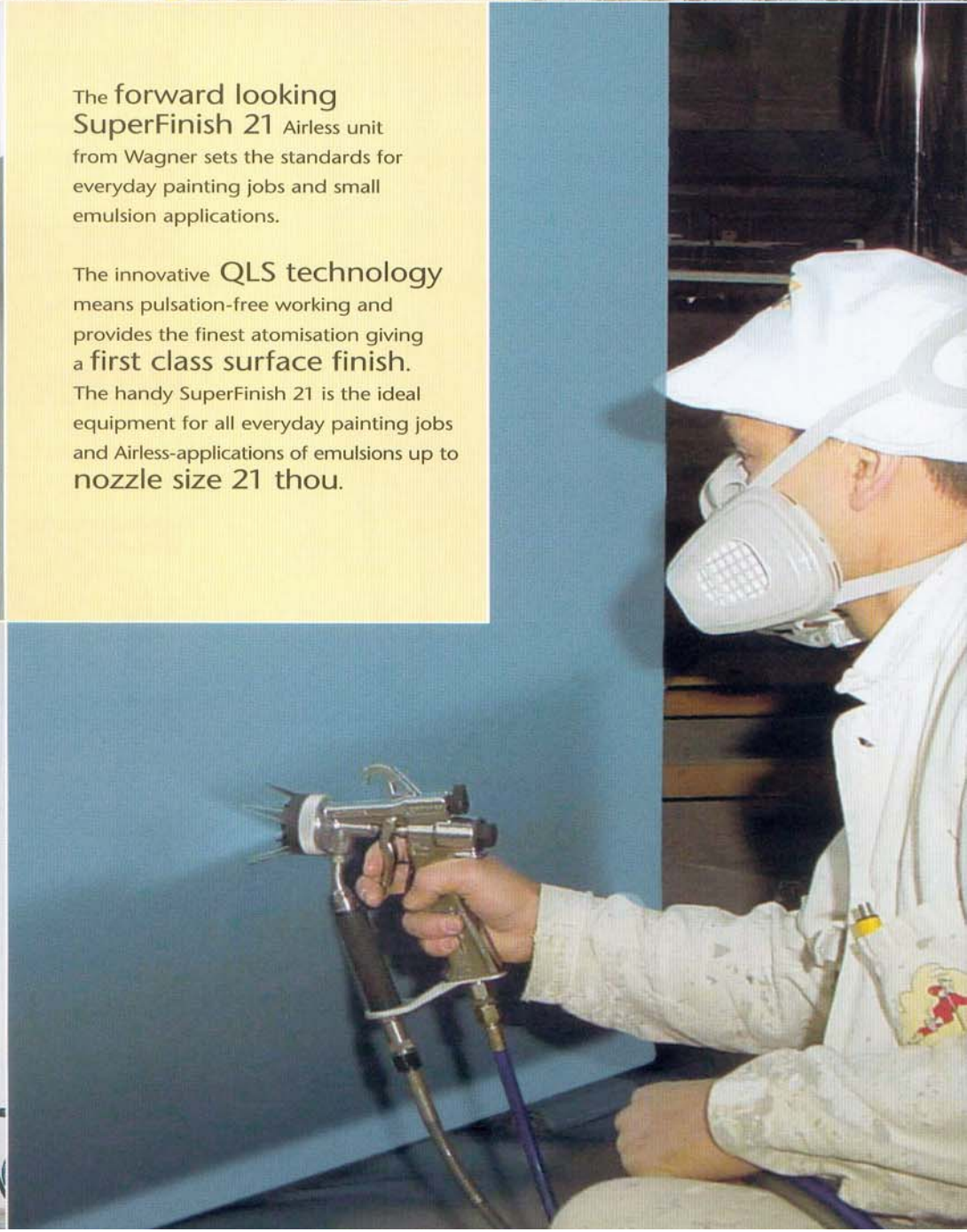
► Wagner-Service

The extensive back up by Wagner field staff and the comprehensive Wagner service apply to the SuperFinish 21 as they do to all Wagner equipment.



The forward looking
SuperFinish 21 Airless unit
from Wagner sets the standards for
everyday painting jobs and small
emulsion applications.

The innovative **QLS** technology
means pulsation-free working and
provides the finest atomisation giving
a **first class surface finish**.
The handy SuperFinish 21 is the ideal
equipment for all everyday painting jobs
and Airless-applications of emulsions up to
nozzle size 21 thou.



Available Versions

Airless-Spraypack SuperFinish 21

- 0340 054 SuperFinish 21 basic unit, frame mounted and including pressure gauge
- + QuickClean suction system
 - + 15 m high pressure hose
 - + G08 Airless gun
 - + Wagner Tip holder
 - + Wagner Tip 419

AirCoat-Spraypack SuperFinish 21

- 0340 055 SuperFinish 21 basic unit, frame mounted and including pressure gauge
- + 5 litre hopper
 - + 7.5 m twin hose
 - + AirCoat gun GM 3000
 - + AirCoat nozzle 11.40
 - + AirCoat regulator



Basic unit

- 0340 053 SuperFinish 21 on a frame including pressure gauge

Airless accessories

Suction system

- 0341 262 QuickClean suction system, rigid

Hopper

- 0341 265 5 litre hopper

InlineRoller IR 100

- 0345 010 InlineRoller in plastic case

Filter systems

- 0034 950 Metex filter cage
0034 952 Filter bag (fine, 5 pcs.)
0034 951 Filter bag (coarse, 5 pcs.)

High pressure hoses

- 9984 510 High pressure hose I.D. 4 / M16x1.5 / 270 bar / 7.5 m
9984 507 High pressure hose I.D. 6 / M16x1.5 / 270 bar / 15 m
0034 030 Double nipple I.D. 8 / M16x1.5 / SW 19

Airless Guns

- 0149 040 G08 Airless gun
0257 001 AG09S Airless gun
0335 002 G12 Airless gun

Gun filters

- 0097 022 Insert filter 10 off extra fine 180 M / 0.084 mm mesh, red
0097 023 Insert filter 10 off fine 100 M / 0.140 mm mesh, yellow
0097 024 Insert filter 10 off medium 50 M / 0.315 mm mesh, white

Airless Nozzles

From 0.007 inch to 0.021 inch with fan angles from 20° to 80°. See current price list / Tip folder.

AirCoat accessories

Hopper (see Airless)

Twin Hoses

- 9984 564 Twin hose I.D. 4 / M16x1.5 / 270 bar / 7.5 m for GM 3000 AC
0128 510 Air hose I.D. 6 / 8.1 m

AirCoat Guns

- 0364 001 AirCoat gun GM 3000 AC with filter, M16 x 1.5, HV
0364 005 AirCoat gun GM 3000 AC with filter, M16 x 1.5, LV

AirCoat Nozzles

From 0.007 inch to 0.021 inch with fan angles from 20° to 80° (fan width 85 - 400 mm).
See current price list / Tip folder.

Air caps

- 0364 910 LV Air cap - red, for low viscosity materials (solvent based paint)*
0364 911 HV Air cap - blue, for high viscosity materials (water based paint)*

AC regulator

- 0340 250 AC regulator + fitting kit

Service kits

- 0344 700 Inlet valve
0341 702 Outlet valve
0341 705 Inlet valve depressor housing complete

* HV = High Viscosity, LV = Low Viscosity



Ask about other products from our range: Low pressure air spraying units, piston and diaphragm pumps, plaster spraying units, material feed solutions... and much more.